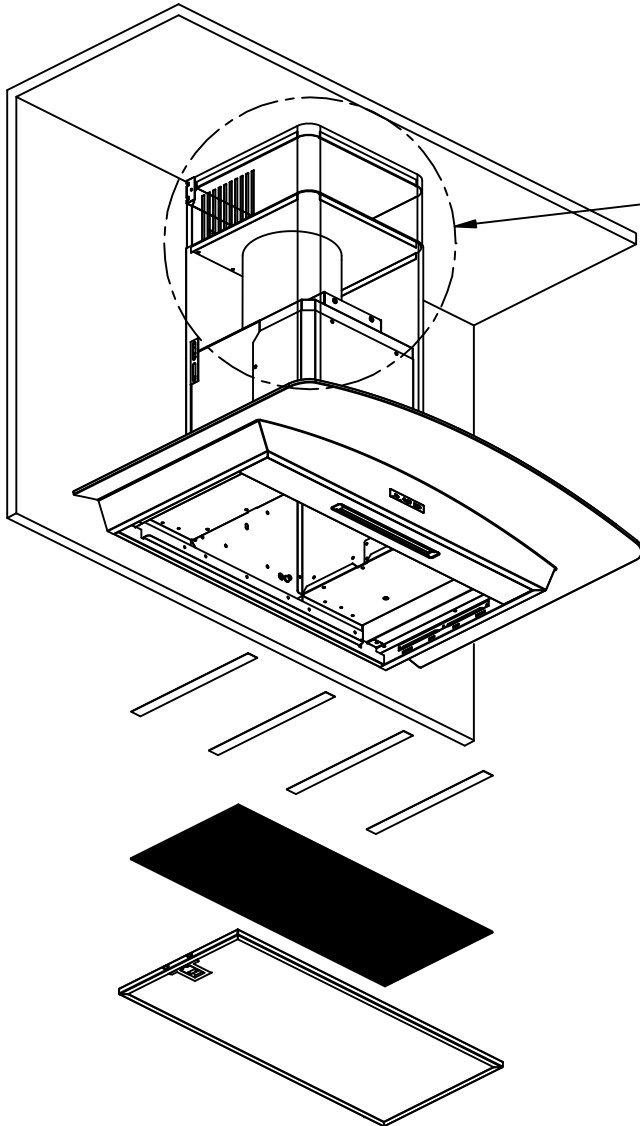
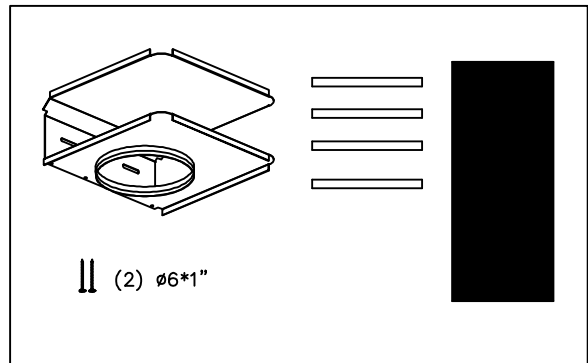


## BRC-0006

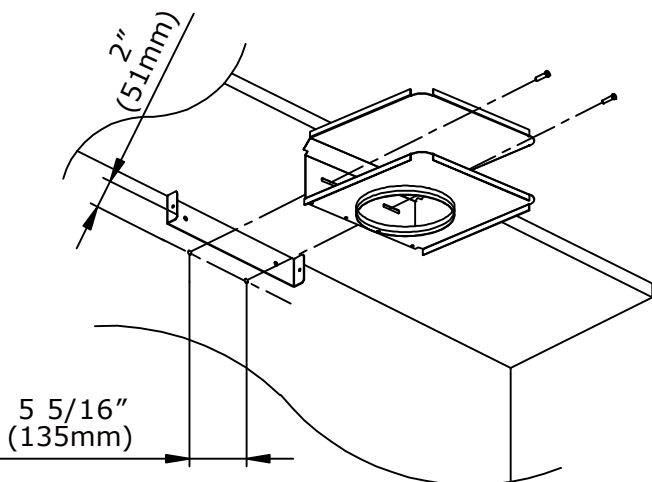
For use with : BMI-ExxCx



### LIST OF MATERIALS



1



2

