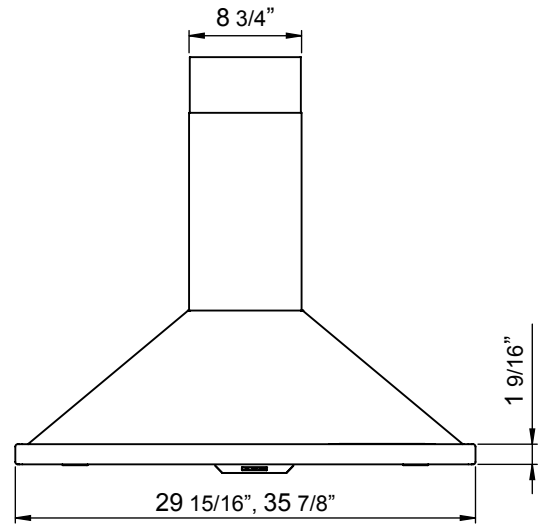
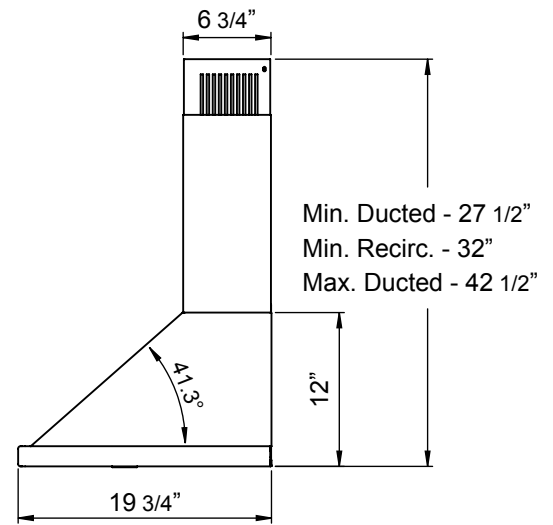


# BRISAS BVE WALL

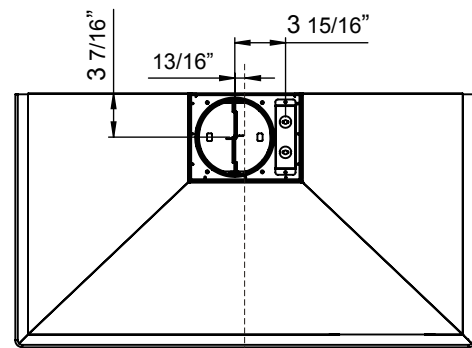
**brisas**  
BY ZEPHYR  
BRISASBYZEPHYR.COM



FRONT



SIDE



CL  
TOP

# BRISAS BVE WALL

**brisas**  
BY ZEPHYR  
BRISASBYZEPHYR.COM

## MODEL

Stainless Steel	BVE-E30BS	BVE-E36BS
Size	30"	36"

## BLOWER PERFORMANCE

Blower CFM	600	600
Sones	6	6
ACT 390 CFM	Yes	Yes
ACT 290 CFM	Yes	Yes

## FEATURES

ACT™ Technology	Yes	Yes
Controls	Capacitive Touch	Capacitive Touch
Speed Levels	3	3
Auto Delay-Off	Yes	Yes
Lighting	BriteStrip™ LED, 5W x1	BriteStrip™ LED, 5W x1
Dual-Level Lighting	Yes	Yes
Filters	Aluminum Mesh	Aluminum Mesh
Recirculating Option	Yes	Yes
Extension Duct Cover Option	Yes, Up to 12' Ceiling	Yes, Up to 12' Ceiling

## DUCT SPECIFICATIONS

Vertical Internal Blower	6" Round	6" Round
Horizontal Internal Blower	NA	NA
AC POWER	320W, 2.6A	320W, 2.6A
AC POWER INPUT	120V, 60Hz	120V, 60Hz

## OPTIONAL ACCESSORIES

Recirculating Kit	BRC-0008	BRC-0008
Extension Duct Cover	B1C-00VE	B1C-00VE

MOUNTING HEIGHT RANGE*	24" - 34"	24" - 34"
------------------------	-----------	-----------

WARRANTY	1 years parts, 1 year labor	1 years parts, 1 year labor
----------	-----------------------------	-----------------------------

\*Mounting height refers to distance between top of a 36" tall cooking surface and bottom of hood.

AIRFLOW CONTROL TECHNOLOGY is an exclusive feature built into the hood which can limit the maximum blower CFM to meet local code requirements.

Specifications subject to change, check [zephyronline.com](http://zephyronline.com) for up to date information.  
Zephyr Ventilation | 2277 Harbor Bay Parkway, Alameda, CA 94502 | 888.880.VENT  
[support@brisasbyzephyr.com](mailto:support@brisasbyzephyr.com)

DEC20.0101

